

| Design Data           |                       |
|-----------------------|-----------------------|
| Commutation           | Brushed               |
| Direction of rotation | Bi-directional        |
| Bearing type          | A: Sleeve - B: Sleeve |

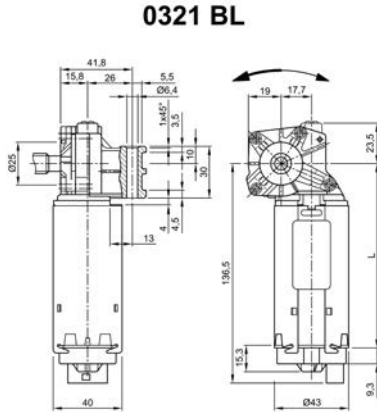
| Performance data                    |       |       |
|-------------------------------------|-------|-------|
| Rated voltage [V]                   | $U_N$ | 12    |
| Nominal torque [Nm]                 | $M_N$ | 1.50  |
| No-load speed [ $\text{min}^{-1}$ ] | $n_0$ | 145.0 |
| Nominal power [W]                   | $P_N$ | 16.6  |
| Nominal current [A]                 | $I_N$ | 6.0   |
| Nominal force [kN]                  | $F_N$ | 1.50  |
| Duty cycle                          |       | s3    |

| Sensor data     |   |
|-----------------|---|
| Pulses          | 0 |
| Output channels | 0 |

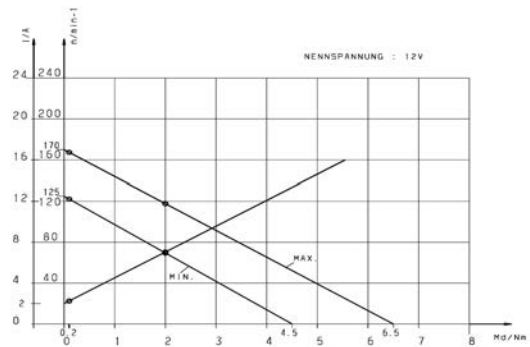
| Other data             |                                   |
|------------------------|-----------------------------------|
| Gear ratio             | 29/1                              |
| Gear wheel material    |                                   |
| Suppression components | 5,5 $\mu$ H, 47nF, (0,47 $\mu$ F) |
| Enclosure class        | IP40                              |
| Weight [kg]            | 0.880                             |

Remarks: 1 start worm

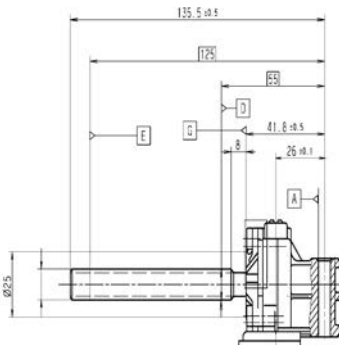
### Characteristic curves



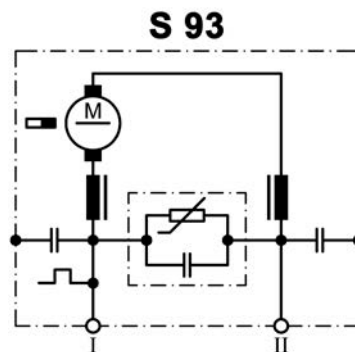
### Motor picture



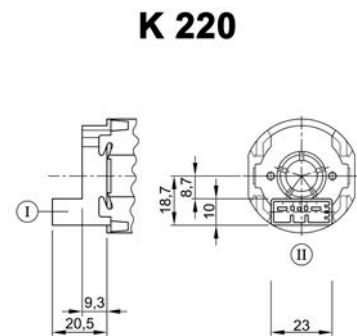
### Output shaft drawing (W), Wiring diagrams (S) and Connector layout (K)



Output spindle: 7 / 16 Stub ACME RH



I Terminal 1  
 II Terminal 5



Connector TYCO C-208-15621 (Z) mating with:  
 Connector housing 1379217-3 & cover  
 1379218-2