

DYNABOX XL

Right angle
Servo gearheads
For heavy duty applications



Backlash down to 0,5 arc minute

DYNABOX XL

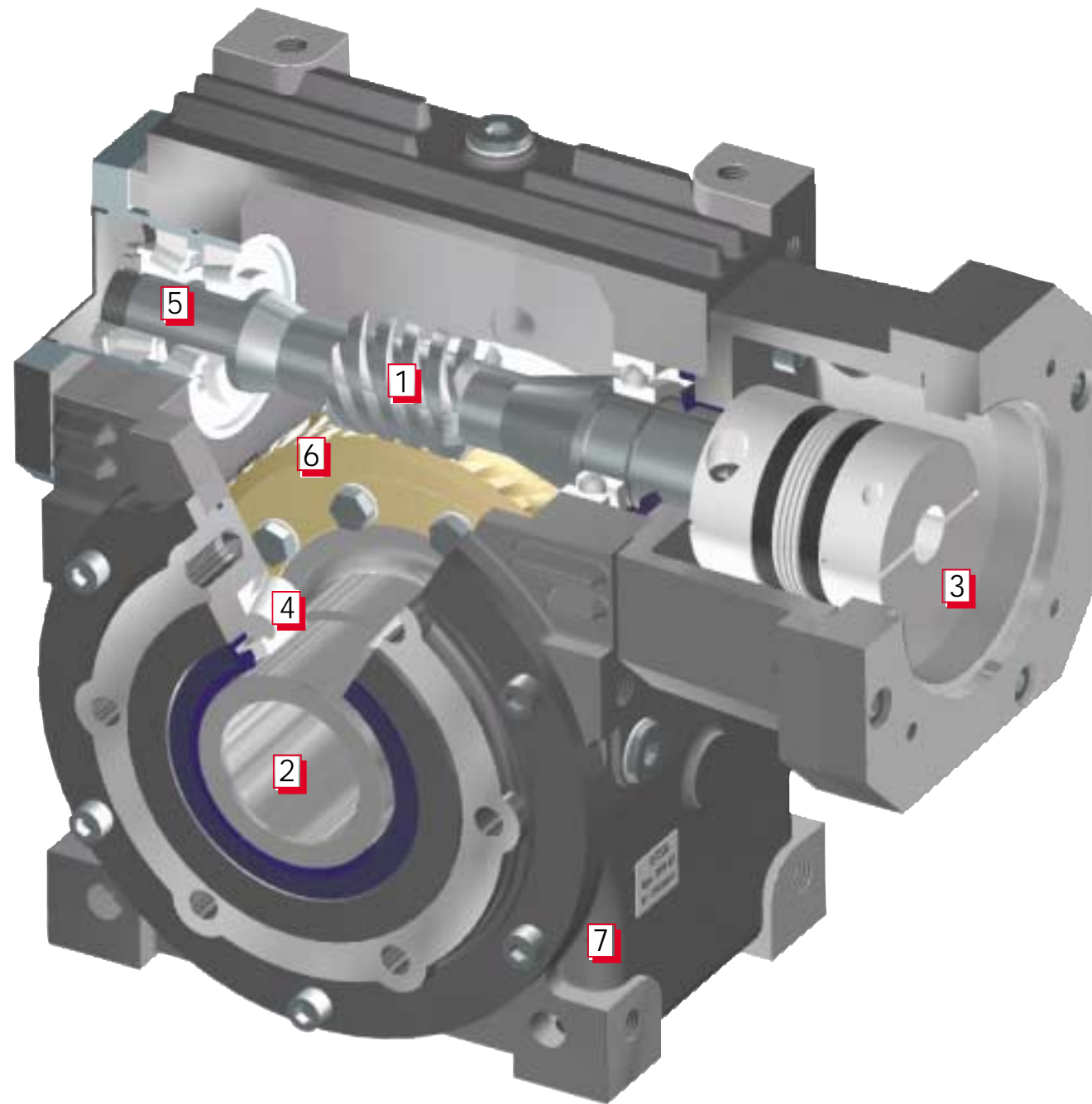


Torque up to
8000 Nm



GIRARD TRANSMISSIONS introduces :

DYNABOX XL



with 2 precision levels :

EXPERT : backlash < 0,5 arcminute
(adjustable)

MEDIUM : backlash < 5 arcminutes
(fixed)

- 1 Computer optimized gear contact pattern : less stress, longer life.
- 2 Keyless connection : reliable and backlash free connection with shrink disc.
- 3 Universal servo-kit : including high torsional stiffness coupling + flange.
- 4 Oversized taper roller bearings : provide very high permissible loads.
- 5 Constant input bearings preload design : 2 taper roller bearings + 1 floating ball bearings allowing temperature variations with same preload : higher input permissible speeds, longer life.
- 6 Centrifugally cast wheel ring : superior shock and wear resistance.
- 7 Cast iron housing

2 MOUNTING OPTIONS



Hollow shaft



Single output shaft

DYNABOX XL benefits

Low backlash

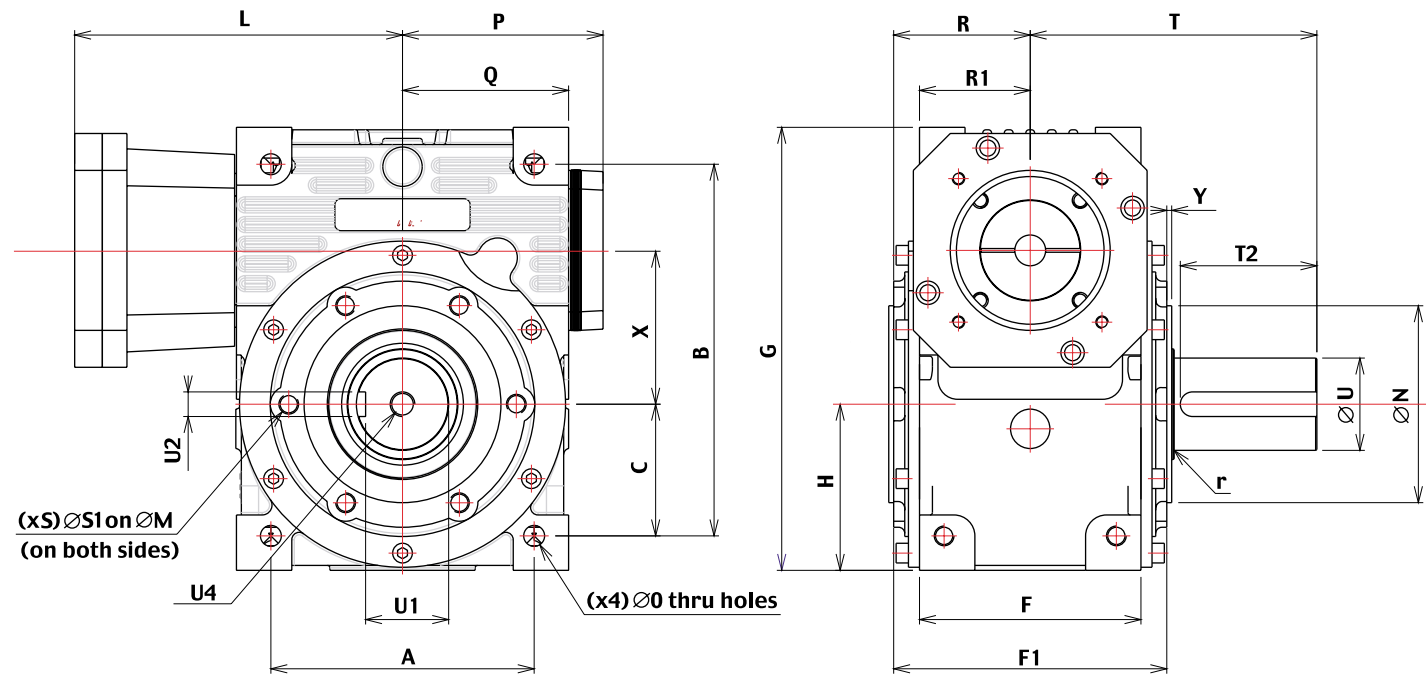
Space saving configuration : the right-angle design, more compact, is favourable in most cases.

Wormgear : very silent, more important permissible overloads, higher torsional stiffness.

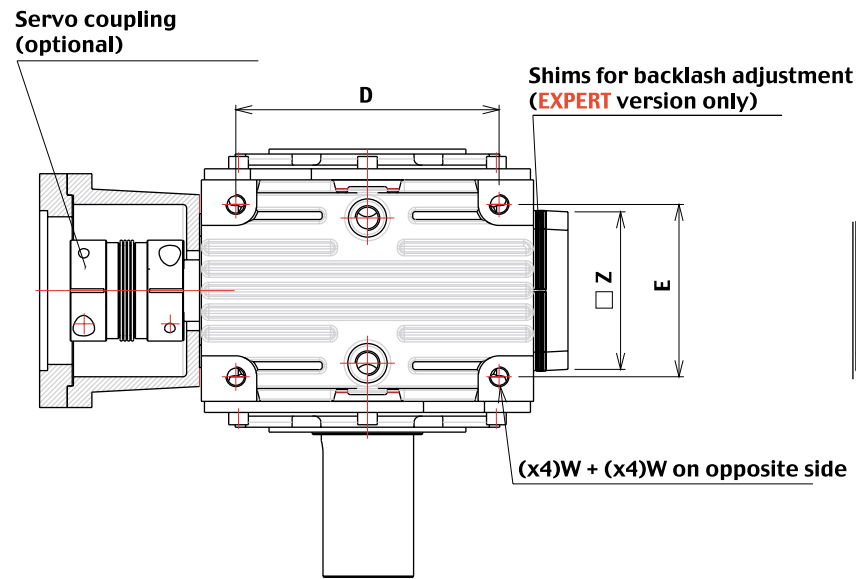
Maintenance free : life-lubricated unit with high performances synthetic lubricant.

DYNABOX XL OUTPUT SHAFT

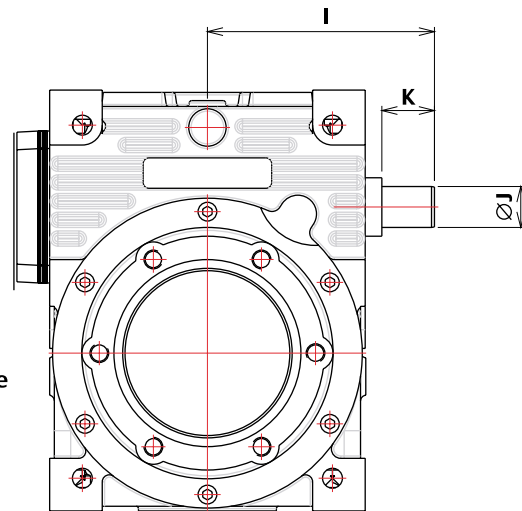
SINGLE OUTPUT SHAFT



DYNABOX XL	125	160	200
A	214	284	342,5
B	302	377	483
C	107	142	171
D	214	284	342,5
E	140	150	224
F	180	198	288
F1	222	246	374
G	360	450	576
H	135	175	216
I	195	240	289
J	35	42	48
K	45	50	55
L	DEPENDS ON MOTOR		
M	185	230	300
N	160	190	250
O	17	22	28
P	163	204	251
Q	135	175	216
r	3	3	5
R	111	123	187
R1	90	99	144
S	6	6	8
S1	M16	M20	M20
T	233	269	359
T2	111	135	164
U	75	90	120
U1	67,5	81	109
U2	20	25	32
U4	M20	M24	M24
W	M16	M20	M20
X	125	160	200
Y	4	5	5
Z	130	140	180



INPUT SHAFT VERSION



MOUNTING POSITIONS

	1	2	3	4
H				
V				
F				